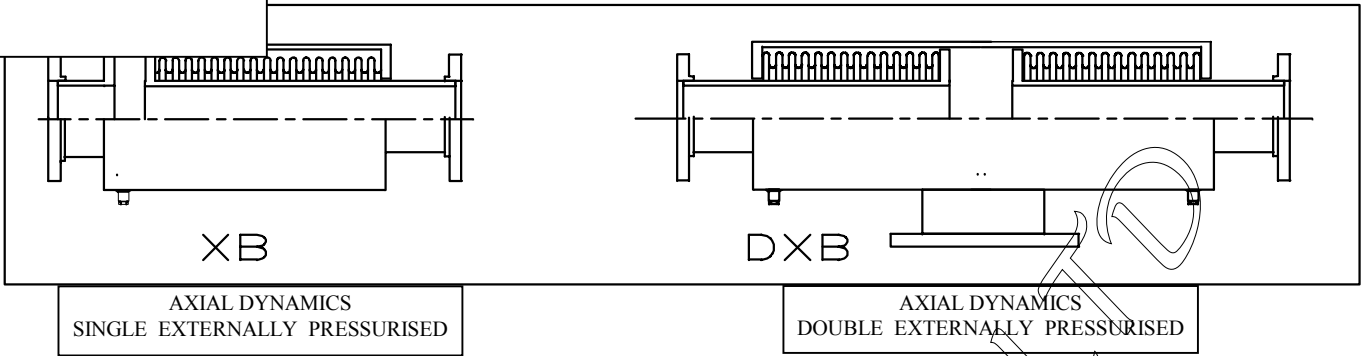


EXTERNALLY PRESSURISED



| DIA | XB Length FF and WW 100 Mov't | XB Length FF and WW 150 Mov't | XB Length FF and WW 200 Mov't | DXB Length FF and WW 300 Mov't | DXB Length FF and WW 400 Mov't | Pressure Thrust KN |
|-----|-------------------------------------|-------------------------------------|-------------------------------------|--------------------------------------|--------------------------------------|--------------------------|
| 40 | 700 | 900 | 1100 | 1800 | 2200 | 9 |
| 50 | 700 | 900 | 1100 | 1800 | 2200 | 9 |
| 65 | 700 | 900 | 1100 | 1800 | 2200 | 12 |
| 80 | 700 | 900 | 1100 | 1800 | 2200 | 15 |
| 100 | 700 | 900 | 1100 | 1800 | 2200 | 24 |
| 125 | 700 | 900 | 1100 | 1800 | 2200 | 36 |
| 150 | 700 | 900 | 1100 | 1800 | 2200 | 64 |
| 200 | 700 | 900 | 1100 | 1800 | 2200 | 94 |
| 250 | 700 | 900 | 1100 | 1800 | 2200 | 144 |
| 40 | 700 | 900 | 1100 | 1800 | 2200 | 18 |
| 50 | 700 | 900 | 1100 | 1800 | 2200 | 18 |
| 65 | 700 | 900 | 1100 | 1800 | 2200 | 24 |
| 80 | 700 | 900 | 1100 | 1800 | 2200 | 30 |
| 100 | 700 | 900 | 1100 | 1800 | 2200 | 48 |
| 125 | 700 | 900 | 1100 | 1800 | 2200 | 72 |
| 150 | 700 | 1000 | 1200 | 1800 | 2200 | 128 |
| 200 | 700 | 1000 | 1200 | 1800 | 2200 | 188 |
| 250 | 700 | 1000 | 1200 | 1800 | 2200 | 288 |

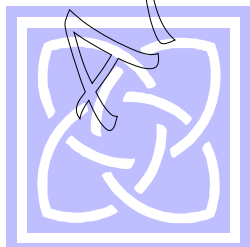
1000 KPa

2000 KPa

PART NUMBER 100 XB - FF - 2000 - 100

100 NB EXTERNALLY PRESSURISED FLANGE / FLANGE 2000 KPa MOV'T

DRAIN PORT - D is added to the part number.
VANSTONE - V is added to the part number
SPECIAL - X is added to the part number
 Many materials are available for Axial Dynamics XB type bellows. Standard in 304SS for steam applications



**AXIAL
DYNAMICS
SPECIALIST
ENGINEERS IN
METAL EXPANSION
JOINTS**



Special Ø150 HI-Con, Ø150 HI-Pulse and Axial Dynamics miniature instrument bellows